



# MainGuard #66WC

## Sampling Station for Warm Climates



MainGuard #66WC Stainless Steel



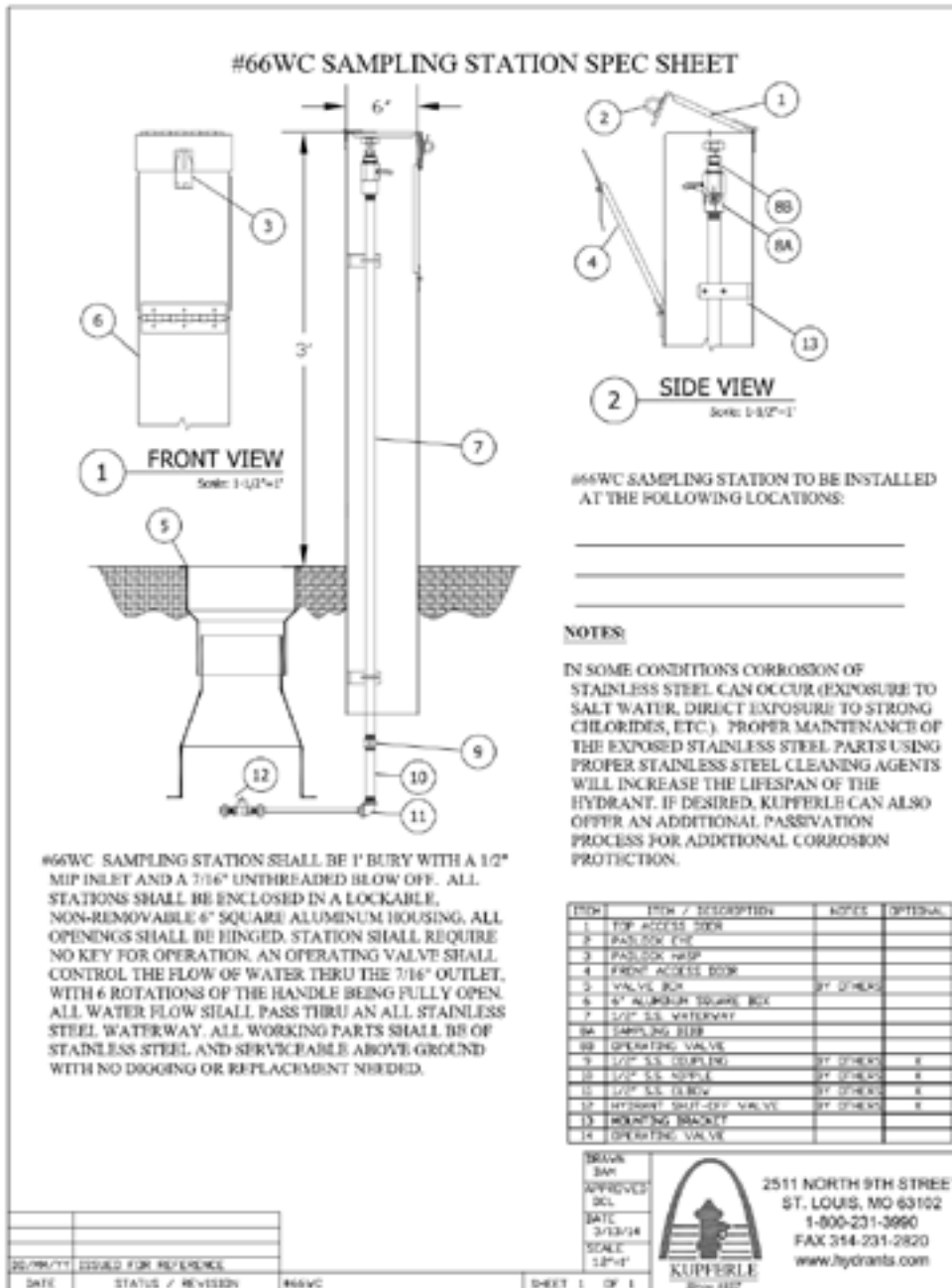
Cast Aluminium  
Lockable  
Enclosure



Optional Plastic  
Cover



Protective  
Outlet Caps



- "Reduced potential contamination of sampling taps"
- "Facilitate access to sampling taps"
- "To improve sampling representation of the distribution system"

